



Maximum Torque: **70,813NM**

A/F Range: **19 - 155MM**

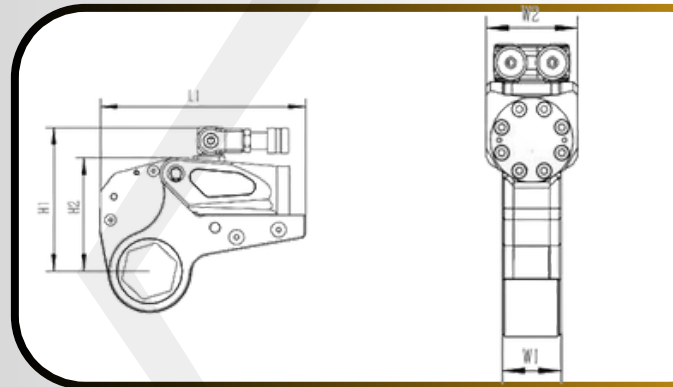
Max Working Pressure: **10,000PSI**

XLP SERIES

Our low profile design is constructed from rigid steel for increased durability and designed to fit in those tight spaces.

With interchangeable heads and various accessories available, the XLP series low profile is your ultimate solution.

Fitted with 360x180 rotational swivels and +/- 3% torque accuracy



Model	2XLP	4XLP	8XLP	14XLP	18XLP	30XLP	50XLP
Torque Range (NM)	232 - 2414	585 - 6474	1094 - 11774`	1558 - 17639	2695 - 26958	4459 - 44593	7081 - 70813
AF Range (MM)	19 - 60	34 - 80	41 - 105	50 - 117	65 - 130	110 - 175	105 - 225
Drive Unit Weight (KG)	0.9	1.7	3.1	4.6	6.5	10.4	35.5
Ratchet Link Weight (KG)	1.5	3.4	6.3	11.4	14.3	20.5	42
L (MM)	196	258 - 263	300 - 311	360	388	430 - 441	493
H1 (MM)	126 - 129	163 - 173	192 - 201	225	264	303 - 315	328
H2 (MM)	102 - 105	136 - 146	168 - 177	204	231	272 - 285	295
W1 (MM)	32	42	53	64	71	85	102
W2 (MM)	51	66	83	99	109	131	160

Maximum Torque: **48,666NM**

Square Drive Range: **3/4" To 2.1/2"**

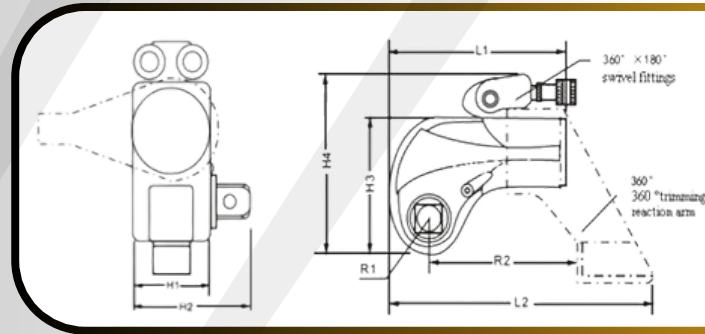
Max Working Pressure: **10,000PSI**

XSD SERIES

Our Square drive design is a compact unibody giving maximum housing strength and durability whilst maintaining low operating weight.

Fitted with 360x180 coupling manifold to help keep hoses safely away from pinch points.

The XSD range also features anti-lock pawl levers and safety handle attachments.



Model	07XSD	1XSD	3XSD	5XSD	8XSD	10XSD	15XSD	20XSD	25XSD	35XSD
Torque Range (NM)	112 - 1120	183 - 1837	451 - 4512	752 - 7528	1078 - 10780	1551 - 15516	2066 - 20627	2666 - 26664	3572 - 34725	4866 - 48666
Drive Size	3/4"	3/4"	1"	1.1/2"	1.1/2"	1.1/2"	2.1/2"	2.1/2"	2.1/2"	2.1/2"
Nut Range (MM)	14 - 30	16 - 36	22 - 48	27 - 56	30 - 64	36 - 72	39 - 80	42 - 90	48 - 100	64 - 120
Weight (KG)	1.8	2.0	4.0	7.0	9.1	13.1	18	25	31	45
L1 (MM)	110.8	130	166	198	213	231	270	295	314	355
L2 (MM)	139.3	182	241	281	308	336	400	443	464	489
H1 (MM)	42	50	68	80	90	100	110	120	137	153
H2 (MM)	65.8	72	95	123	130	141	179	182	200	217
H3 (MM)	76.2	99	130	155	171	187	201	228	255	290
H4 (MM)	108.1	144	176	198	216	230	244	268	295	330
R1 (MM)	20.5	26	34	39	47	51	55	59	67	79
R2 (MM)	68.3	99	134	152	171	174	195	250	251	271